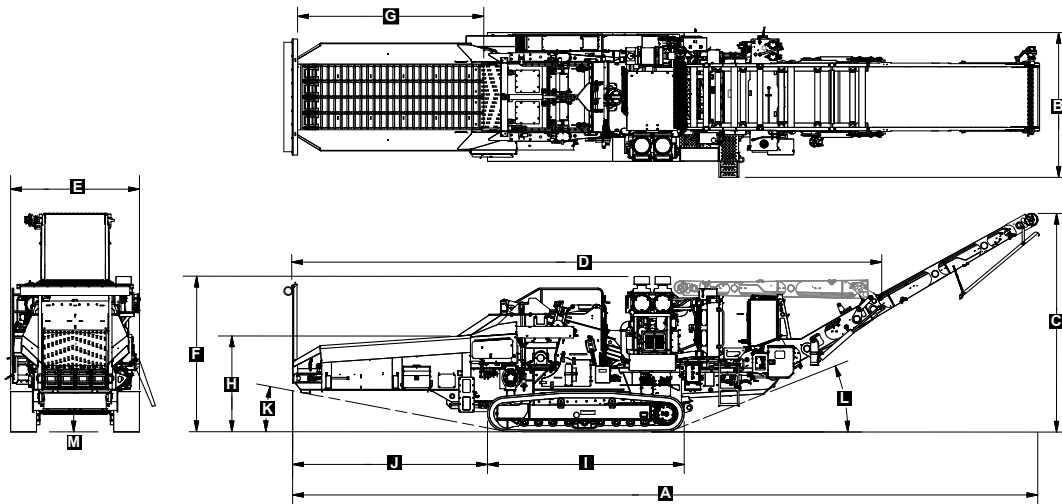


# 4710D

## Peterson Horizontal Grinder



### DIMENSIONS

<b>A</b> Operating Length	56' 9" (1730 cm)
<b>B</b> Operating Width	11' (336 cm)
<b>C</b> Operating Height	16' 8" (508 cm)
<b>D</b> Travel Length	44' 11" (1369 cm)
<b>E</b> Travel Width	9' 10" (299 cm)
<b>F</b> Travel Height	11' 10" (361 cm)
<b>G</b> Hopper Length	14' 2" (432 cm)
<b>H</b> Hopper Height	7' 4" (222 cm)
<b>I</b> Track Length	15' (457 cm)
<b>J</b> Front to Track	14' 10" (452 cm)
<b>K</b> Front Angle of Approach	11°
<b>L</b> Rear Angle of Approach	22°
<b>M</b> Ground Clearance	18" (46 cm)

### WEIGHT

Machine Weight	79,000 lbs (35 834 kg)
----------------	------------------------

### POWERTRAIN

Engine	Caterpillar C18 Tier IV, 755 hp (563 kW)
<i>export only</i>	Caterpillar C18 Tier II, 765 hp (570 kW)
Clutch	PT Tech HPTO 15
Fuel Tank Capacity	300 US gal (1136 L)
Main Hydraulic Tank Capacity	90 US gal (341 L)

### TRACKS

Track Type and Width	triple grouser, 23.5" (60 cm)
Travel Speed	1.2/2.3 mph (1.9/3.7 kph)
Ground Pressure	11.4 lbs/in <sup>2</sup> (78.6 kPa)

### SYSTEM CONTROLS

Peterson Adaptive Control System
Radio Remote
Peterson+ Analytics



1725 Shepherd Road • Chattanooga, TN 37421 USA • [www.astecindustries.com](http://www.astecindustries.com)

*Specifications vary based on optional equipment and machine configuration and are subject to change without notice. Measurements are rounded to the nearest whole increment.*

### FEED SYSTEM

Hopper Capacity	7.8 yd <sup>3</sup> (6 m <sup>3</sup> )
Feed Chain	4 sections, full hopper width
Feed Conveyor Width	5' (152 cm)
Feed Opening (width x height)	60" x 38" (152 x 97 cm)
Land Clearing Mode	60" x 53" (152 x 135 cm)
Compression Roll Diameter	33.5" (85 cm)

### ROTOR

Rotor Shaft Size	5.9" (150 mm) @ bearing, 7.5" (190 mm) @ center
Rotor Speed	1050 fpm (320 mpm) @ 2100 rpm (engine)
Rotor Width	64" (161 cm)
Rotor Diameter	38" (96.5 cm)
Bit Size (width x height)	2.75" x 5" (70 x 127 mm)
Number of Bits	22 drum rotor, 20 pinned rotor

### GRATES

Number of Grate Sections	4
Total Grate Area	28 ft <sup>2</sup> (2.6 m <sup>2</sup> )
Grate Coverage	187°
Grate Thickness	1" (25 mm) or 1.25" (32 mm)

### DISCHARGE SYSTEM

Discharge Conveyor Width	54" (137 cm)
Discharge Conveyor Height	16' 8" (508 cm)
Conveyor Speed	500, 600, 700 ft/min (152, 183, 213 mpm)

### PRODUCTION\* PER HOUR

Engine	Greenwaste	Scrap Board
C18	360 yd <sup>3</sup> (275 m <sup>3</sup> )	425 yd <sup>3</sup> (325 m <sup>3</sup> )
	95 US tons (86 tonnes)	65 tons (59 tonnes)

*\*Actual output may vary due to moisture content, material density and size, support equipment, and grate size. Production rates are based on operating 50 minutes per hour.*

### OPTIONAL EQUIPMENT

R+ Package	Air Compressor
Feed Chain Return Pan	Tow Dolly
Feed Tailgate	Cold Weather Kit
Crossbelt Magnet	LED Work Lights
Magnetic Head Pulley	



CMS20210505