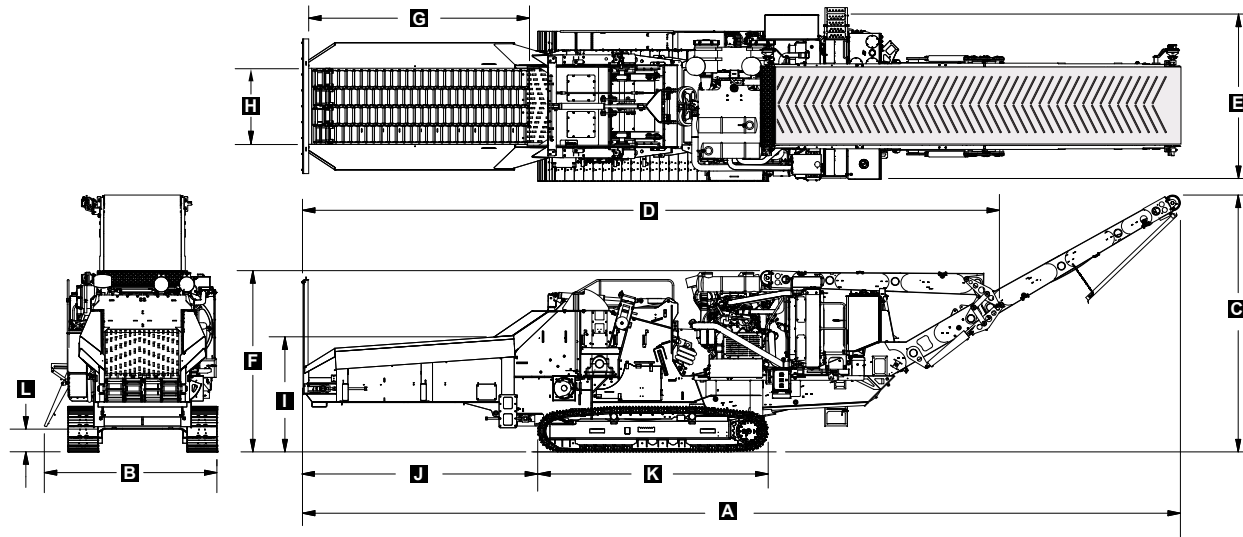


5710D

Peterson Horizontal Grinder



DIMENSIONS

A Operating Length	57' 10" (18 m)
B Operating Width	11' 5" (348 cm)
C Operating Height	16' 10" (513 cm)
D Travel Length	45' 11" (1400 cm)
E Travel Width	9' 11" (300 cm)
F Travel Height	12' 2" (371 cm)
G Hopper Length	14' 7" (445 cm)
H Feed Conveyor Width	5' (152 cm)
I Hopper Height	7' 6" (228 cm)
J Front to Track Length	15' 6" (472 cm)
K Track Length	15' 3" (463 cm)
L Ground Clearance	18" (457 cm)

WEIGHTS

Machine Weight*	95,000 lbs (43,091 kg)
with Tow Dolly	99,000 lbs (44,906 kg)

POWERTRAIN

Engine	Caterpillar C27 Tier IV, 1050 hp (783 kW)
	Caterpillar C32 Tier IV, 1125 hp (839 kW)
export only	Caterpillar C27 Tier IV, 1050 hp (783 kW)
export only	Caterpillar C32 Tier II, 1125 hp (839 kW)
Clutch	PT Tech HPTO 15FX
Fuel Tank Capacity	340 gallons (1287 L)
Main Hydraulic Tank Capacity	98 gallons (371 L)

TRACKS

Track Type and Width	triple grouser, 23.5" (60 cm)
Travel Speed	1.2/2.3 mph (1.9/3.7 kph)
Ground Pressure	12.5 lbs/in ² (.88 kg/cm ²)

SYSTEM CONTROLS

Peterson Adaptive Control System, Radio Remote, Peterson+ Analytics



1725 Shepherd Road • Chattanooga, TN 37421 USA • www.astecindustries.com

Specifications vary based on optional equipment and machine configuration and are subject to change without notice. Measurements are rounded to the nearest whole increment.

FEED SYSTEM

Hopper Capacity	7.0 yd ³ (5.39 m ³)
Hopper Width	60" (152 cm)
Hopper Length	14' 3" (433 cm)
Feed Chain	4 sections, full hopper width
Feed Opening (width x height)	60" x 40" (152 x 102 cm)
Land Clearing Mode (width x height)	60" x 55" (152 x 140 cm)
Compression Roll Diameter (tip to tip)	36" (91.4 cm)

ROTOR

Rotor Shaft Size	7.4" (187 cm)
Rotor Speed	840 rpm @ 2100 engine rpm
Rotor Width	64" (161 cm)
Rotor Diameter	40" (102 cm)
Bit Size (width x height)	3" x 6.5" (7.6 cm X 16.5 cm)
Number of Bits	20 drum rotor, 18 pinned rotor

GRATES

Number of Grate Sections	4
Total Grate Area	4060 in ² (26 193 cm ²)
Grate Coverage	182°
Grate Thickness	1.25" (32 mm)

DISCHARGE SYSTEM

Discharge Conveyor Width	60" (152 cm)
Conveyor Speed	500, 600, or 700 ft/min (152, 183, or 213 m/min)

PRODUCTION* PER HOUR

Engine	Greenwaste	Scrap Board
C27	501 yd ³ (383 m ³)	591 yd ³ (452 m ³)
	138 US tons (125 metric tons)	90 tons (82 tonnes)

*Actual output may vary due to moisture content, material density and size, support equipment, and grate size. Production rates are based on operating 50 minutes per hour.

OPTIONAL EQUIPMENT

Magnetic Pulley	R+ Package
Feed Chain Return Pan	Heavy-Duty Feed Chain
Crossbelt Magnet	Long Discharge Conveyor
Tow Dolly	



CMS20210505