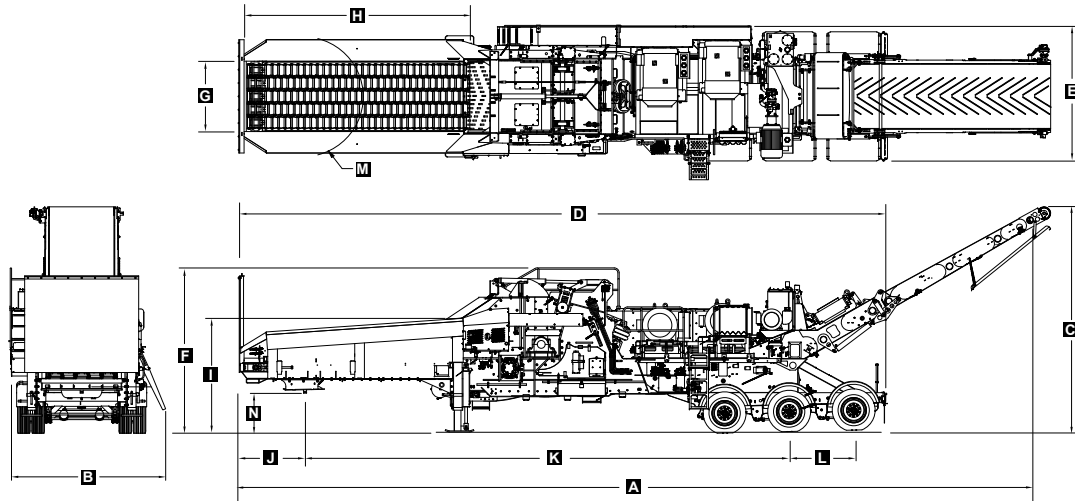


# 6750D

## Peterson Horizontal Grinder



### DIMENSIONS

<b>A</b> Operating Length	62' 10" (19.15 m)
<b>B</b> Operating Width	12' (361 cm)
<b>C</b> Operating Height	17' 6" (534 cm)
<b>D</b> Travel Length	51' (1562 cm)
<b>E</b> Travel Width	10' 7" (323 cm)
<b>F</b> Travel Height	12' 11" (395 cm)
<b>G</b> Feed Conveyor Width	66" (152 cm)
<b>G</b> Hopper Length	17' 6" (560 cm)
<b>H</b> Hopper Height	8' 9" (267 cm)
<b>I</b> Front to 5th Wheel	5' 2" (155 cm)
<b>J</b> 5th Wheel to Center Axle	37' 6" (1143 cm)
<b>K</b> Axle Spacing	60" (152 cm)
<b>L</b> 5th Wheel Clearance Radius	12' (366 cm)
<b>M</b> N 5th Wheel Height	39" (99 cm)

### WEIGHTS

Machine Weight*	103,000 lbs (46 720 kg)
Tri-Axle Weight*	60,000 lbs (27 215 kg)

\*depending on configuration

### POWERTRAIN

Electric Power	USA: 460 volt, 60Hz, 3-phase electric Europe: 400 volt, 50Hz, 3-phase electric Canada: 575 volt, 60Hz, 3-phase electric
Rotor Drive Motors	crusher duty, 2 x 600 hp (450 kW)
Auxiliary Motor (for hydraulic functions)	High efficiency 100 hp (75 kW)
Main Hydraulic Tank Capacity	95 gal (360 L)

### FEED SYSTEM

Hopper Capacity	11 yd <sup>3</sup> (10 m <sup>3</sup> )
Hopper Width	66" (168 cm)
Hopper Length	17' 6" (550 cm)

### FEED SYSTEM (CONT.)

Feed Chain	5 sections, full hopper width
------------	-------------------------------

Hopper Height	8' 9" (267 cm)
Feed Opening (width x height)	66" x 50" (168 cm x 127 cm)
Land Clearing Mode	66" x 65" (168 x 165 cm)
Compression Roll Diameter (tip to tip)	42" (107 cm)

### ROTOR

Rotor Shaft Size	7" (19 cm)
Rotor Speed	840 rpm @ 2100 rpm (engine)
Rotor Width	69" (176 cm)
Rotor Diameter	46" (118 cm)
Bit Size (width x height)	3" x 6" (76.2 x 16.5 mm)
Number of Bits	Drum Rotor 22, Pinned Rotor 20, R <sup>+</sup> Pinned Rotor 18

### GRATE DATA

Number of Grate Sections	4
Total Grate Area	5253 in <sup>2</sup> (33 890 cm <sup>2</sup> )
Grate Coverage	186 degrees
Grate Thickness	1" (38.1 mm)

### DISCHARGE SYSTEM

Discharge Conveyor Width	60" (152 cm)
Conveyor Speed	450–700 ft/min (137.20–213.36 m/min)

### PRODUCTION

Greenwaste	583 yd <sup>3</sup> / 170 US tons (446 m <sup>3</sup> / 154 metric tons) per hour
Scrap Board	653 yd <sup>3</sup> / 111 US tons (499 m <sup>3</sup> / 101 metric tons) per hour

*Actual output may vary due to moisture content, material density, material size, support equipment, and grate size. Production rates are based on grinding 50 minutes per hour.*

### OPTIONAL EQUIPMENT

Discharge Conveyor-long, Magnetic Head Pulley on Discharge Conveyor, Magnetic Cross Belt Conveyor (rare earth or ceramic), Scrap Metal Collection Box (with Cross Belt Conveyor) Air Compressor, Grate Hangers, Feed Chain Return Pan



1725 Shepherd Road • Chattanooga, TN 37421 USA • [www.astecindustries.com](http://www.astecindustries.com)

Specifications vary based on optional equipment and machine configuration and are subject to change without notice. Measurements are rounded to the nearest whole increment.



CMS20210505